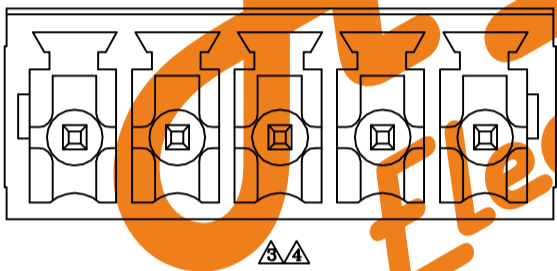
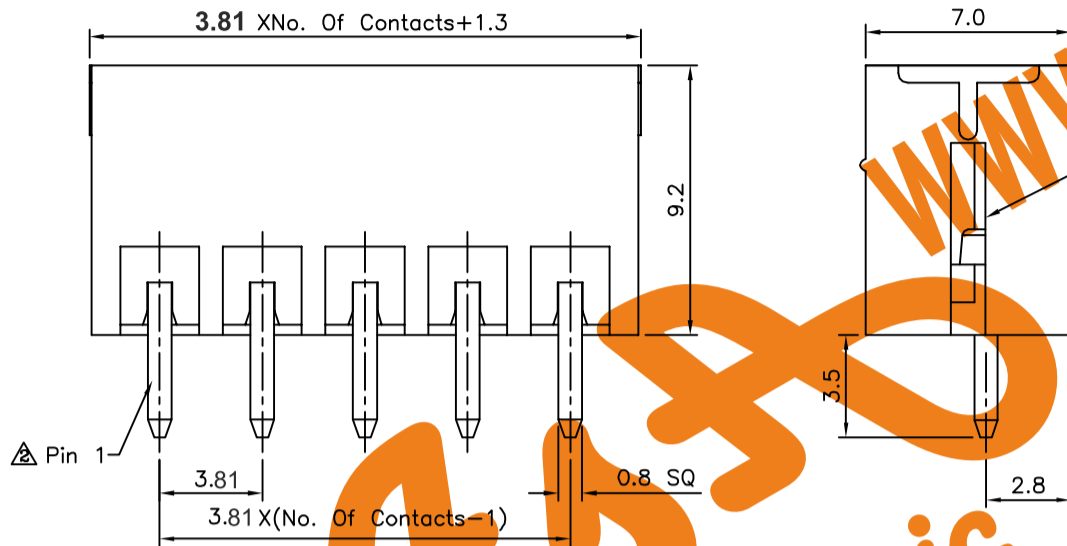


Recommended P.C.B. Layout

**△ SPECIFICATION**

Current Rating: 8 Amp/Way Max.  
 Voltage Rating: 300V AC  
 Withstanding Voltage: 2500V AC For 1 Minute  
 Test Time=60 Sec/1 PCS  
 Operation Temperature: -40°C~+105°C  
 Soldering Reliability: Test Temperature=250°C±10°C  
 5 Seconds Max.  
 Insulator Body(Housing): Polyamide+G.F.(UL94V-0), Green  
 Solder Pin: Copper Alloy, Tin Plated  
 RoHS Compliant



**AsA Electronic Co.**  
 WWW.AsA-Elec.com  
 Tel : (+98) 21 66 73 56 82 Mob : (+98) 912 03 161 02

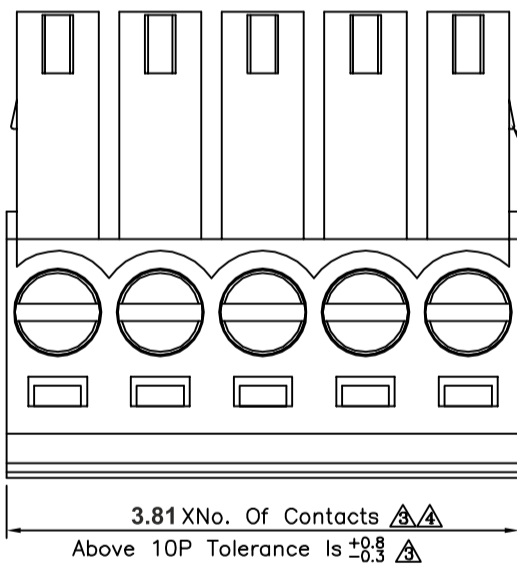
telegram: 09396994470

APPROVED BY EMILY  
 CHECKED BY H.Z  
 DRAWING BY GAO

UNLESS OTHERWISE SPECIFIED TOLERANCES ARE  
 X. ±0.50  
 .X ±0.30  
 .XX ±0.20  
 ANG. ±1°

NO.	REV.	REVISIONS	CHK	DATE
△ A4		Modify Data	HZF	05/28/2012
△ A3		Modify Data	HZF	11/23/2011
△ A2		Add Pin 1	HZF	11/22/2011
△ A1		Modify Data	HZF	10/14/2011
△ A0		NEW RELEASE	HZF	04/07/2009

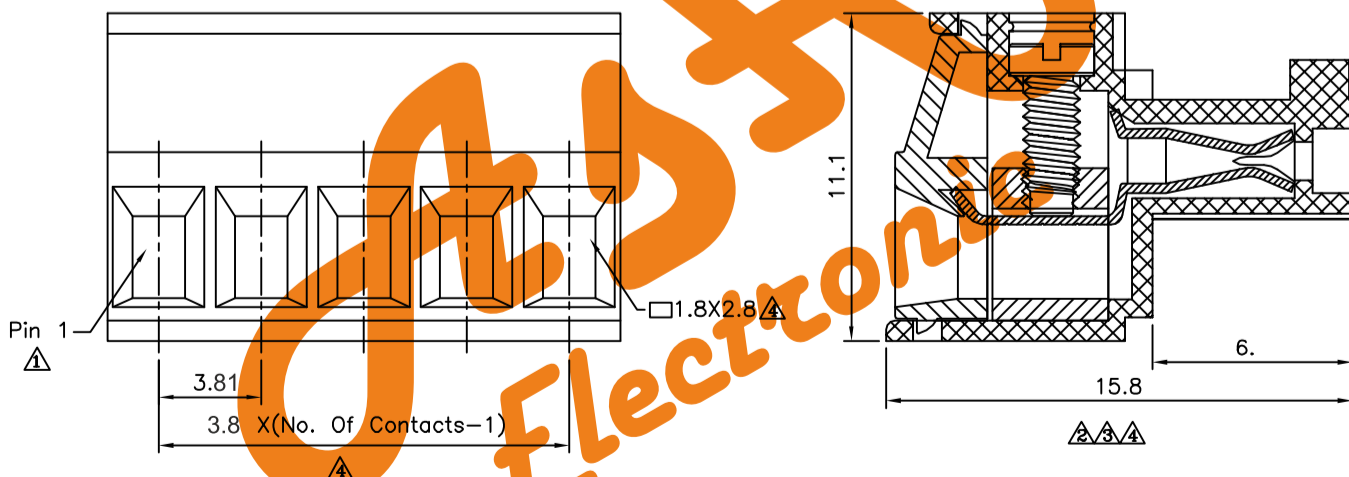
SCALE	NONE	REV.	A4	UNIT mm



2P To 6P With Wedge, Above 7P Without Wedge (Including 7P)

**△ SPECIFICATION**

Voltage Rating: 300V AC  
 Current Rating: 8 Amps/Way Max.  
 Contact Resistance: 20 Milliohms Max.  
 Withstanding Voltage: 2500V AC (1 Minute) Test  
 Time=60 Sec/1 PCS  
 Wire Range: 16~24 AWG  
 Torque: 2.5 Kgf.cm/M2  
 Operation Temperature: -40°C~+105°C  
 Soldering Reliability:  
 Test Temperature=250°C±10°C/5 Seconds Max.  
 △ Contact (Metal Housing): Copper Alloy, Nickel Plated  
 Terminal Screw: Steel, Galvanized With Cr3+ Plated  
 Wire Guard: Copper Alloy, Tin Plated  
 △ Insulator Body (Housing): Polyamide (UL94V-0), Green  
 RoHS Compliant



**AsA Electronic Co.**  
 WWW.AsA-Elec.com  
 Tel : (+98) 21 66 73 56 82 Mob : (+98) 912 03 161 02

telegram: 09396994470

APPROVED BY EMILY  
 CHECKED BY H.Z  
 DRAWING BY CYP

UNLESS OTHERWISE SPECIFIED TOLERANCES ARE  
 X. ±0.50  
 .X ±0.30  
 .XX ±0.20  
 ANG. ±1°

NO.	REV.	REVISIONS	CHK	DATE
△ A4		Modify Data	HZF	10/24/2014
△ A3		Modify Data	HZF	08/28/2012
△ A2		Modify Data	HZF	05/17/2012
△ A1		Modify Data	HZF	11/22/2011
△ A0		NEW RELEASE	HZF	04/09/2009

SCALE	NONE	REV.	A4	UNIT mm